



Comfort Line 2016 Catalog



ELECTRIC CURTAIN RAILS

Comfort System

Electric curtain tracks Comfort System are the guarantee quiet work (30 dB), an attractive price, practically non-limited functionality through many control option.

Comfort

S Y S T E M



Our advantages:

- curtain track with length to 6m (the possibility of individual pricing of curtain rods with a length to 12 m),
- maximum load to 90 kg,
- quiet operation (30 dB),
- soft start & soft stop,
- simply installation to ceiling or wall,
- not require the setting of the stop limits,
- not require later maintenance.



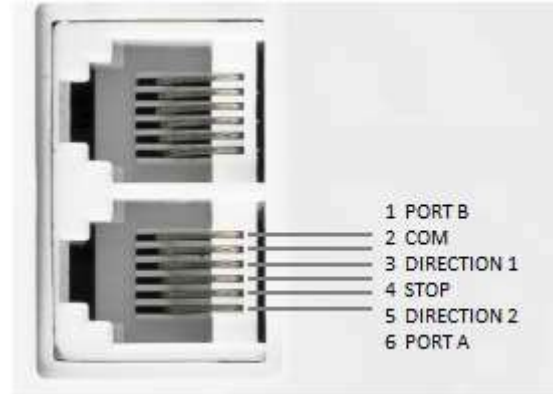


ELECTRIC CURTAIN RAILS

Comfort System

Control:

- wire 230V,
- wireless,
- DCT (dry contact),
- RS 485,
- Touch motion,
- Smart Home Systems ,
- manual motion - possible.



5 wires control

AC 100-240V:

- **Wire**
- **DCT**
- **RS 485**
- **Wireless**
- **Touch motion**

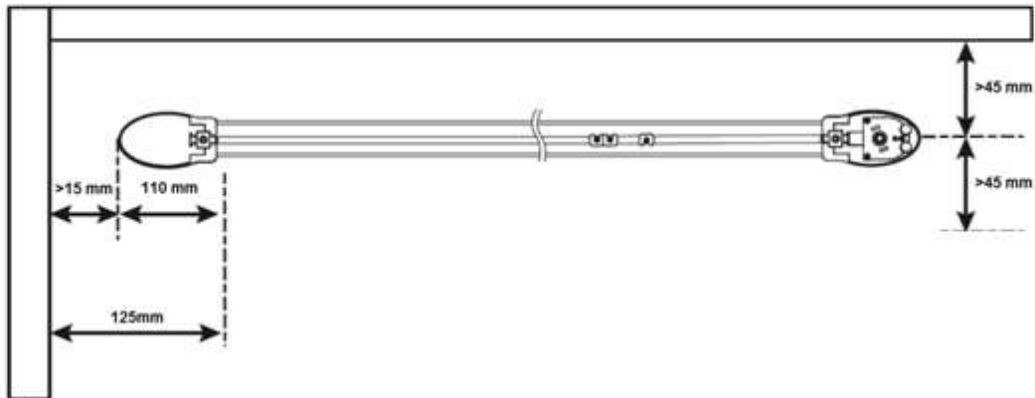
Wires:

- neutral
- phase
- phase 1
- phase 2
- ground

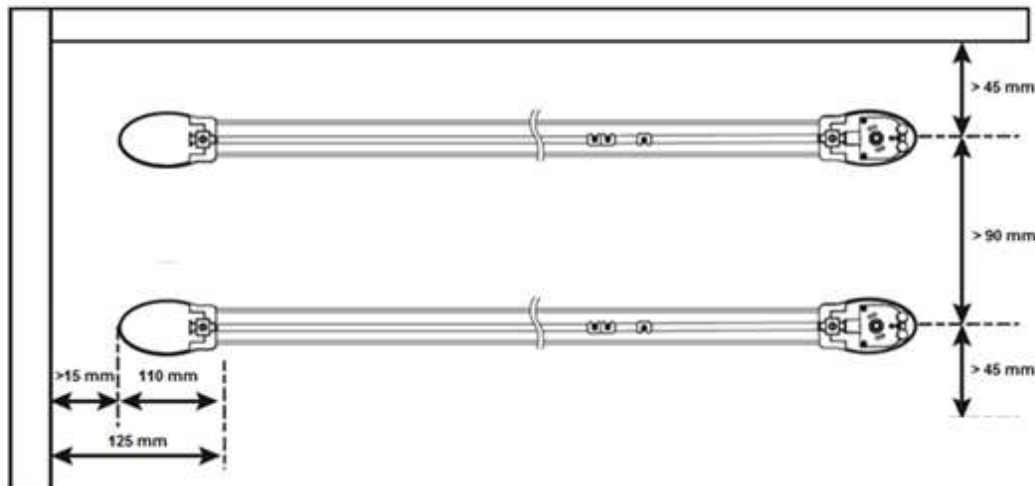
ELECTRIC CURTAIN RAILS

Comfort System

Dimensioning – single rail:



Dimensioning – double rail:



Space occupied by a curtain(s):

- unilateral type: curtain rail length[m] x 14 + 27cm
- bilateral type: curtain rail length[m] x 7 + 27cm (one side)



ELECTRIC CURTAIN RAILS

Comfort System

Technical data:

Voltage and frequency range	100-240V AC 50-60Hz
Model	CS 90
Protection index	IP 20
Power	80 W
Maximum load	90 kg
Power cable type	H05 VVF
Power cable wire section	5x 1mm
Maximum length of cable in dry contact control	30 m
Touch motion	YES
Manual motion	YES
Soft start & Soft stop	YES & YES
Noise level	30 dB
Speed	14 cm/s
Certificates	CE



ELECTRIC CURTAIN RAILS

Comfort System

1) Connecting motor with the remote:

- Press for 1 seconds SETTING BUTTON on the bottom surface of motor -red LED blink slowly.
- Press UP button on the remote -blue LED blink.
- THE REMOTE HAS BEEN PROGRAMMED.

2) Change the direction of motion:

- Press for 5 seconds STOP button on the remote - red LED blink slowly.
- Release and press one more STOP button - blue LED blink.
- THE DIRECTION OF THE MOTOR HAS BEEN CHANGED.



3) Connecting motor with additional remote or channel:

- Press for 5 seconds STOP button on the remote - red LED blink slowly.
- Press UP button on the new remote or previous on the new channel - blue LED blink.
- NEW REMOTE / CHANNEL HAS BEEN PROGRAMMED.

4) Removal programmed channel

- Press for 5 seconds STOP button on the remote - red LED blink slowly.
- Press DOWN button - blue LED blink.
- CHANNEL HAS BEEN DELETED

5) Erasing the memory of the motor

- Press for 5 seconds SETTING BUTTON on the bottom surface of motor - red LED blink.
- Release and press one more SETTING BUTTON on the bottom surface of motor - blue LED blink.
- RESTORED TO FACTORY SETTINGS

6) Touch Motion - activation

- Press for 7 seconds SETTING BUTTON on the bottom surface of motor - first red LED, next blue LED blink.
- TOUCH MOTION FUNCTION HAS BEEN PROGRAMMED.